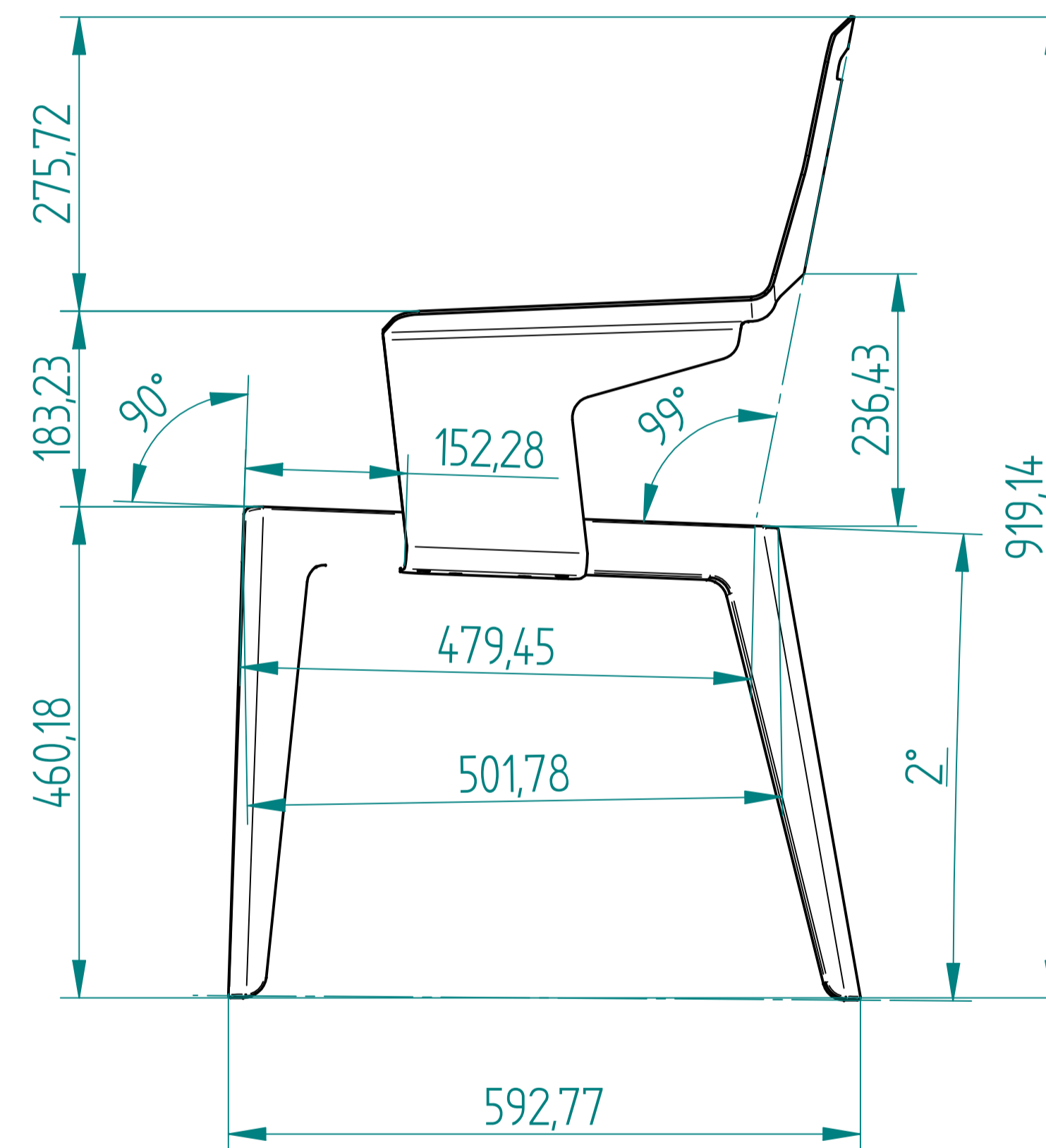
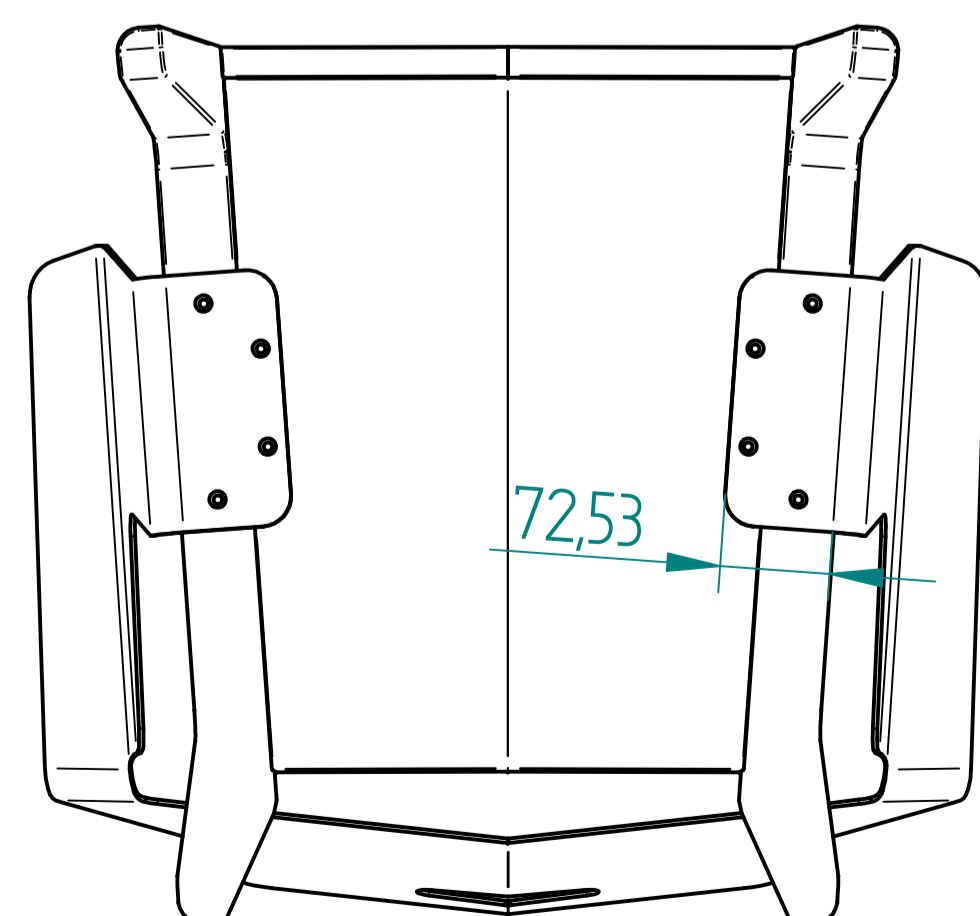
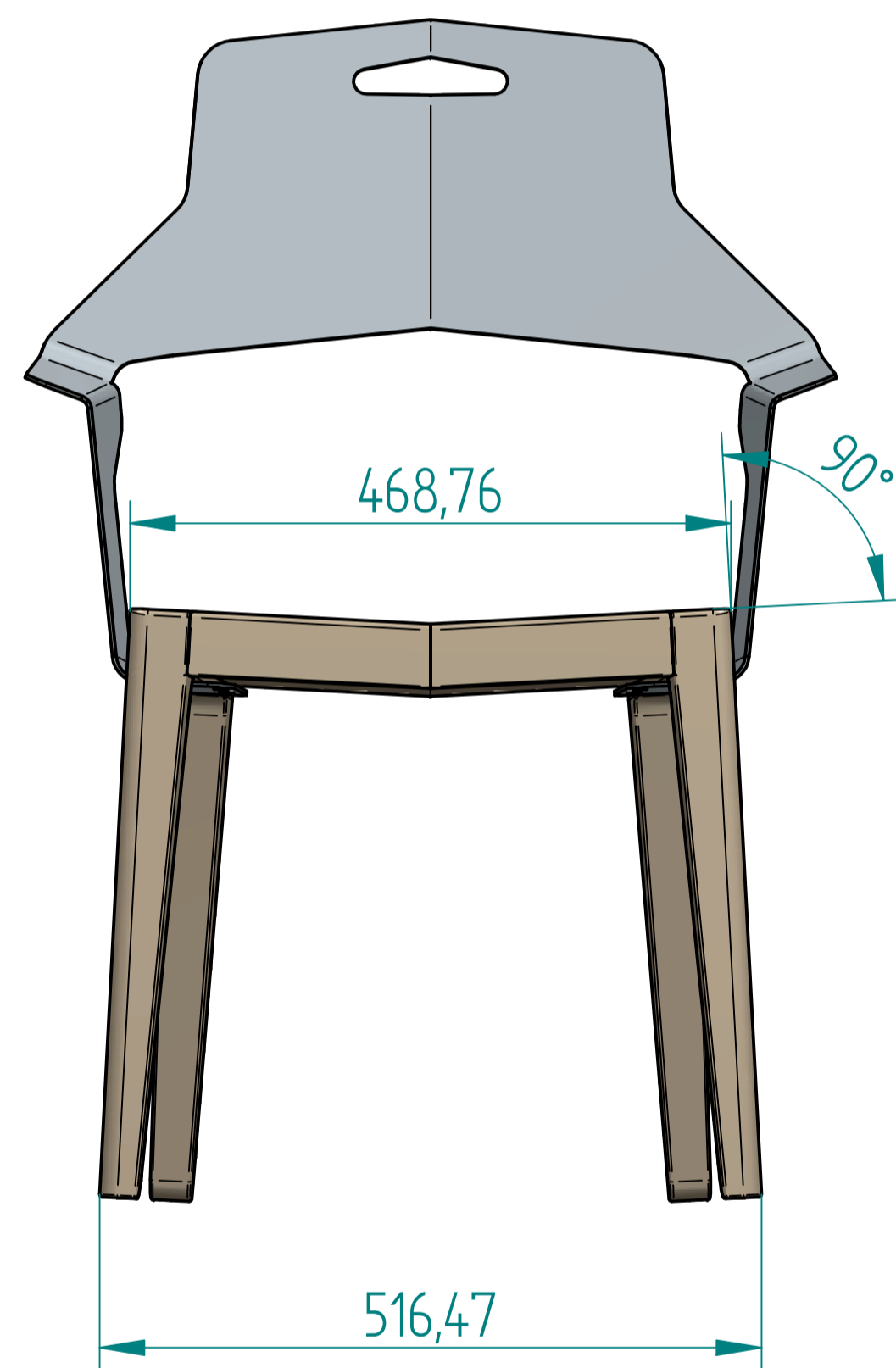
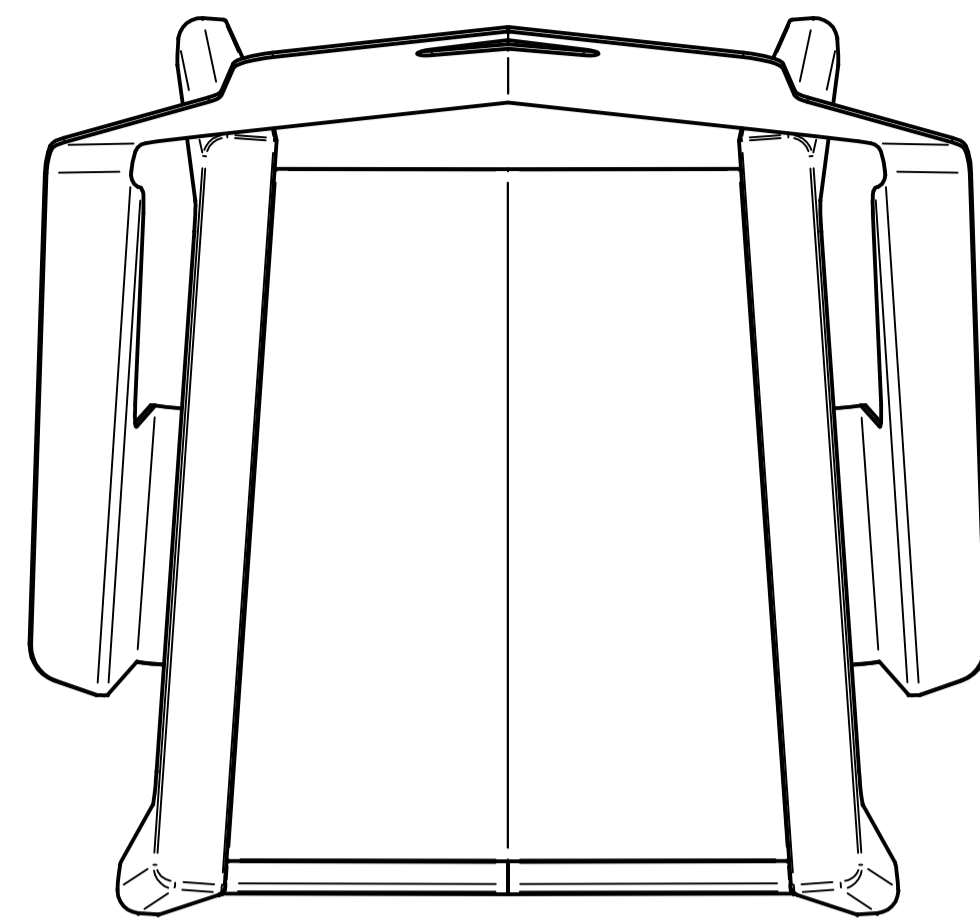
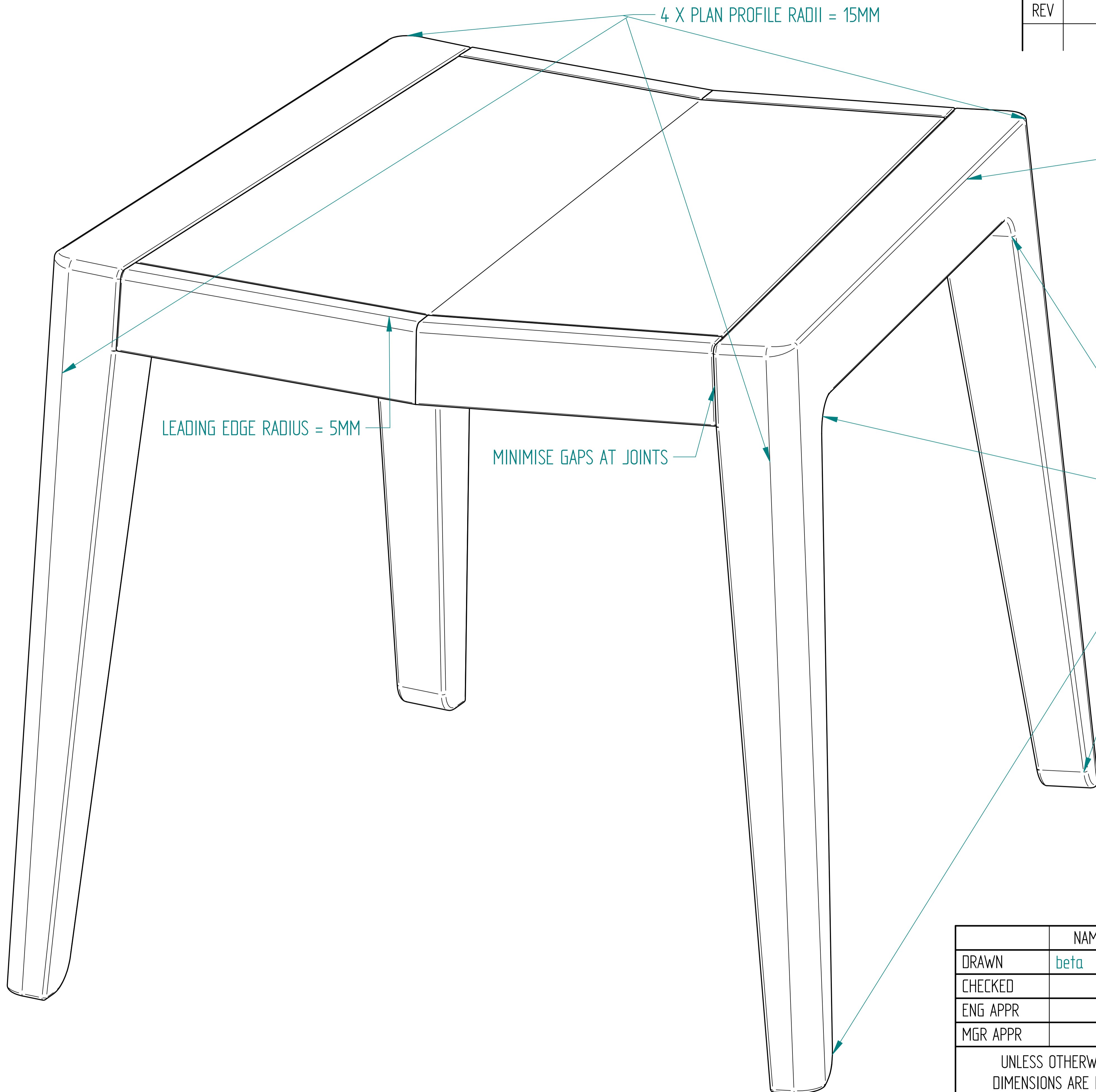


REVISION HISTORY

| REV | DESCRIPTION | DATE | APPROVED |
|-----|-------------|------|----------|
| | | | |



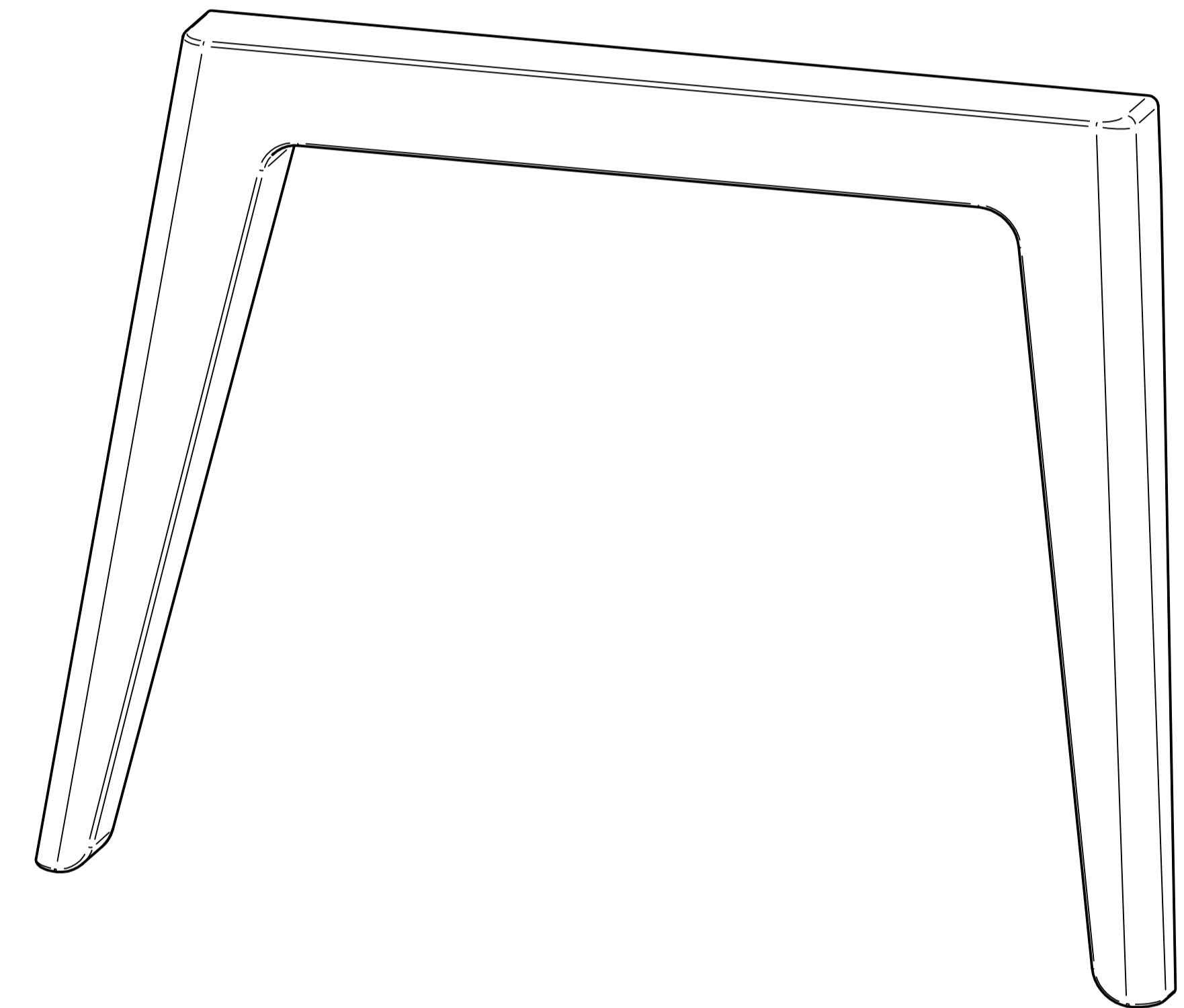
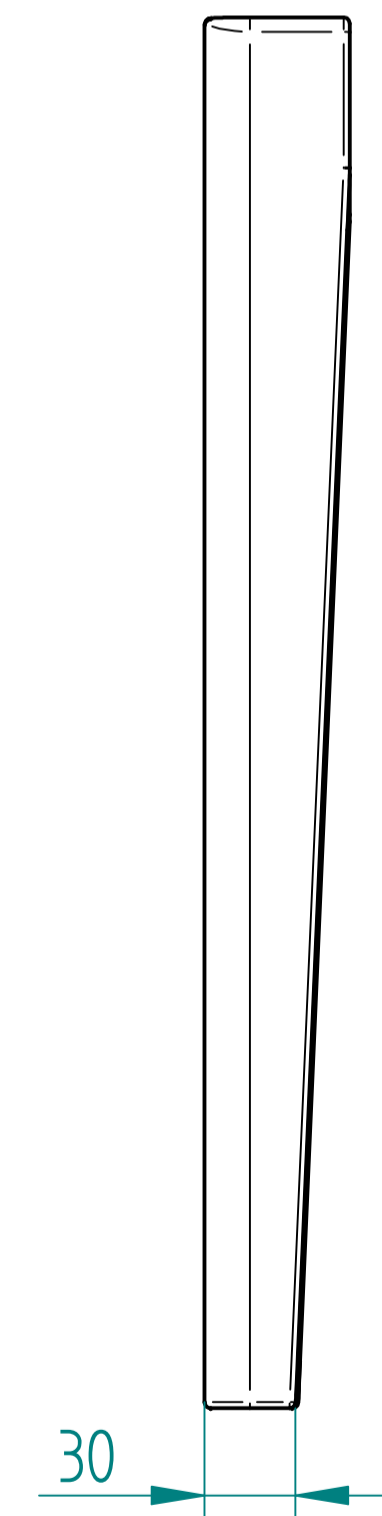
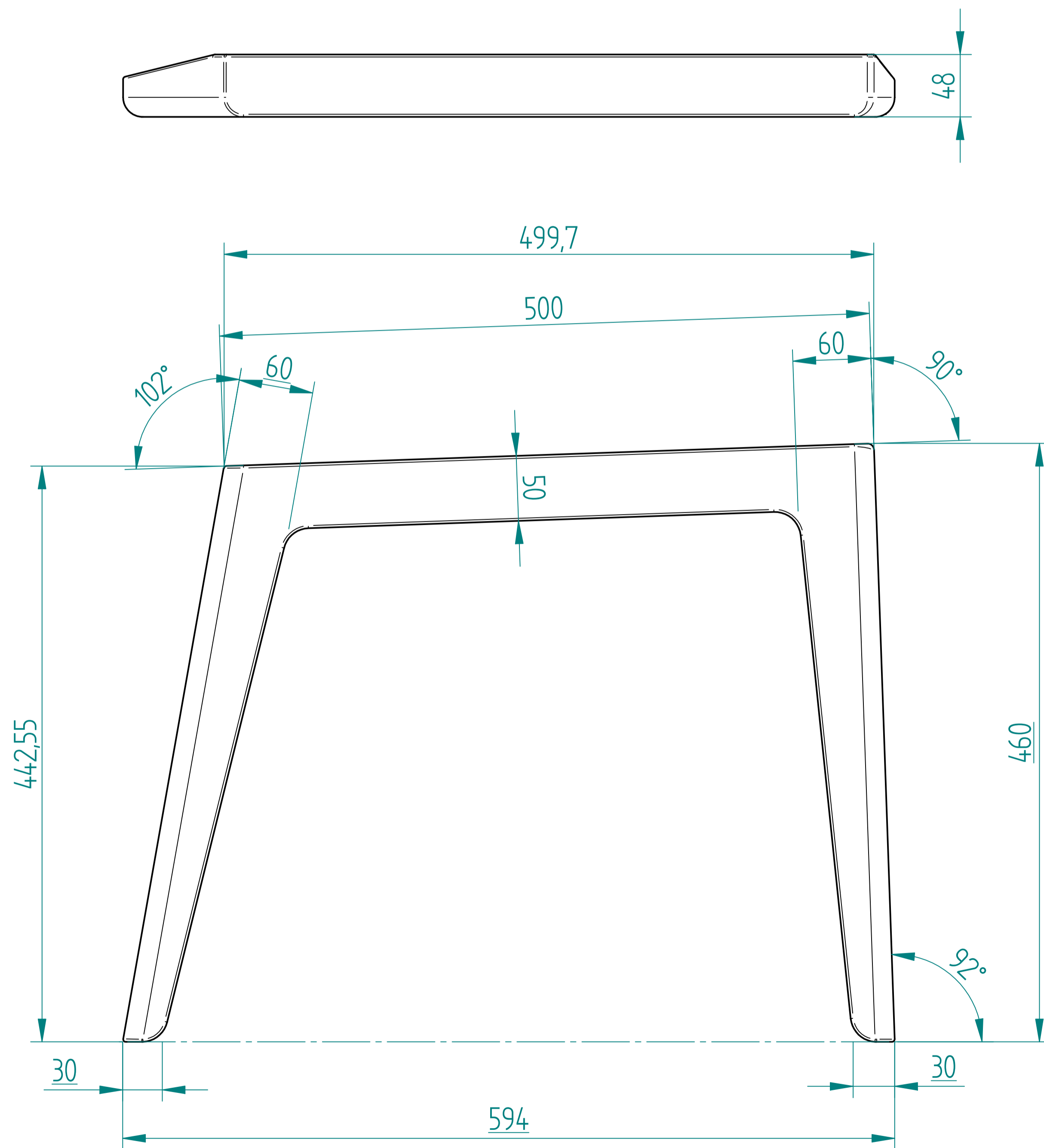
| | | | | | |
|---|------|----------|---|---------|--------------|
| | NAME | DATE | <h1>Composit</h1> TITLE 'Unity' Occasional Chair Schematics | | |
| DRAWN | beta | 02/26/13 | | | |
| CHECKED | | | | | |
| ENG APPR | | | | | |
| MGR APPR | | | SIZE A3 | DWG NO | REV |
| UNLESS OTHERWISE SPECIFIED DIMENSIONS ARE IN MILLIMETERS ANGLES ±0.5° 2 PL ±0.05 3 PL ±0.005 | | | FILE NAME: A8_Unity_Chair ASSY.dft | | |
| | | | SCALE: | WEIGHT: | SHEET 1 OF 5 |



| REVISION HISTORY | | | |
|------------------|-------------|------|----------|
| REV | DESCRIPTION | DATE | APPROVED |
| | | | |

| | | | | | |
|---|------|----------|------------------------------------|---------|--------------|
| | NAME | DATE | <h1>Composit</h1> | | |
| DRAWN | beta | 02/26/13 | | | |
| CHECKED | | | | | |
| ENG APPR | | | | | |
| MGR APPR | | | TITLE | | |
| UNLESS OTHERWISE SPECIFIED DIMENSIONS ARE IN MILLIMETERS ANGLES ±0.5° 2 PL ±0.05 3 PL ±0.005 | | | SIZE | DWG NO | REV |
| | | | A3 | | |
| | | | FILE NAME: A8_Unity_Chair ASSY.dft | | |
| | | | SCALE: | WEIGHT: | SHEET 2 OF 5 |

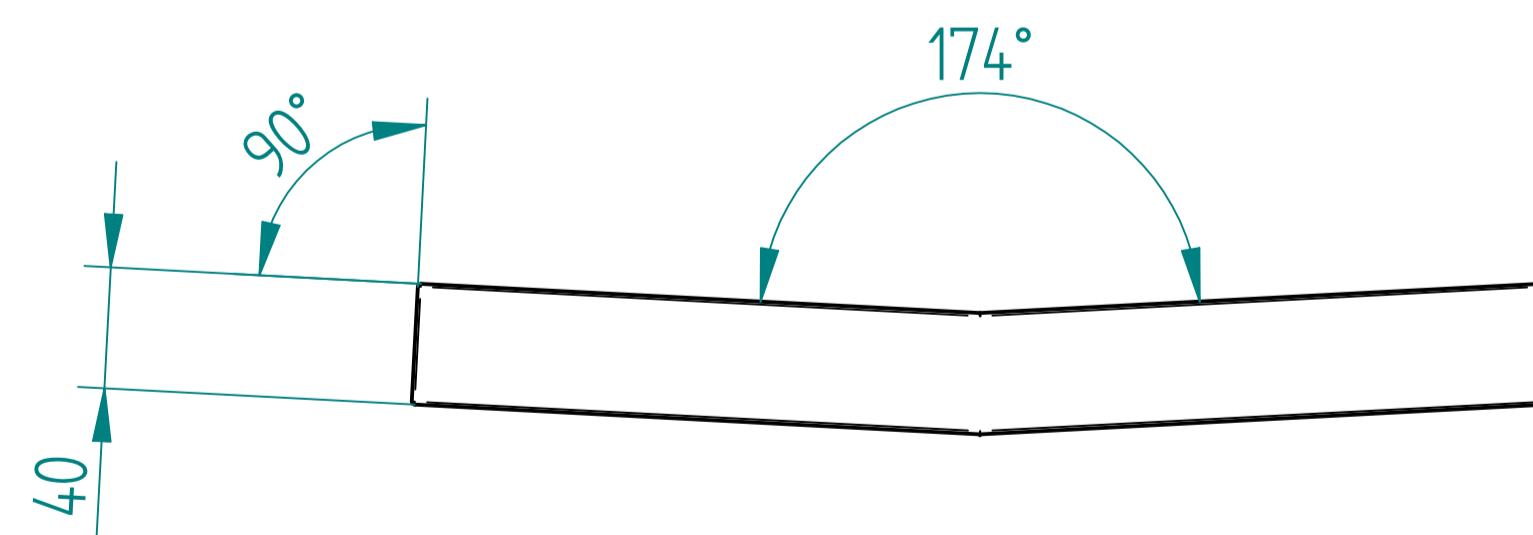
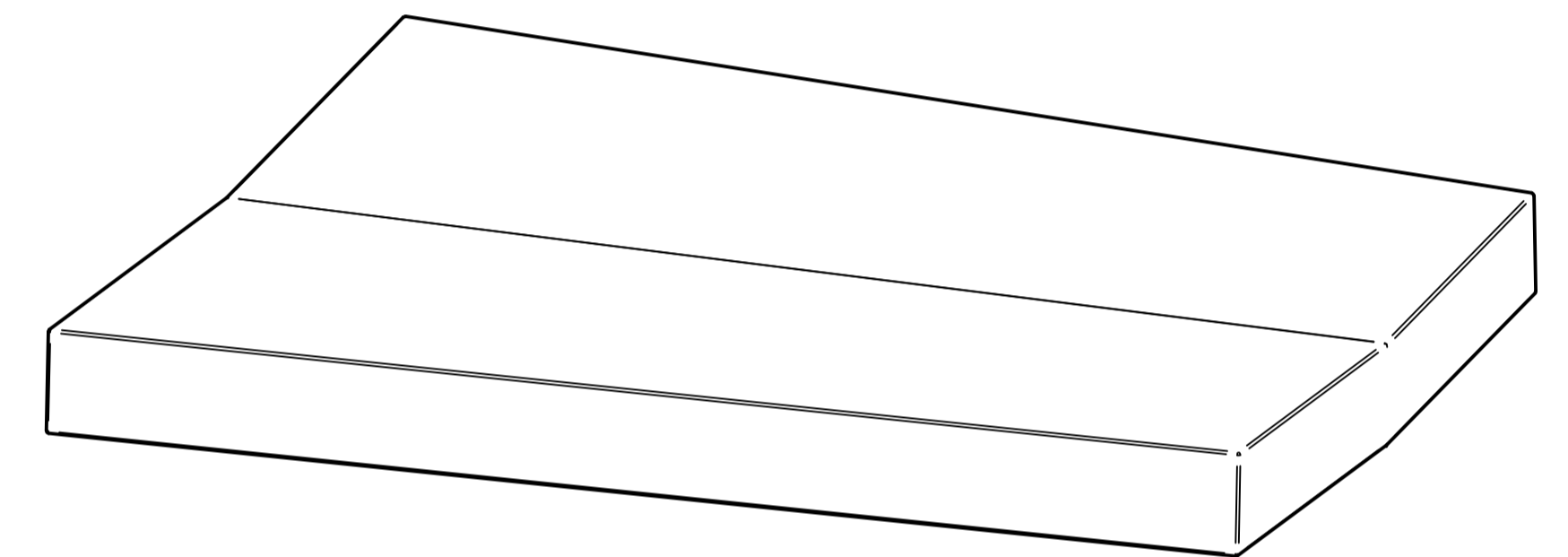
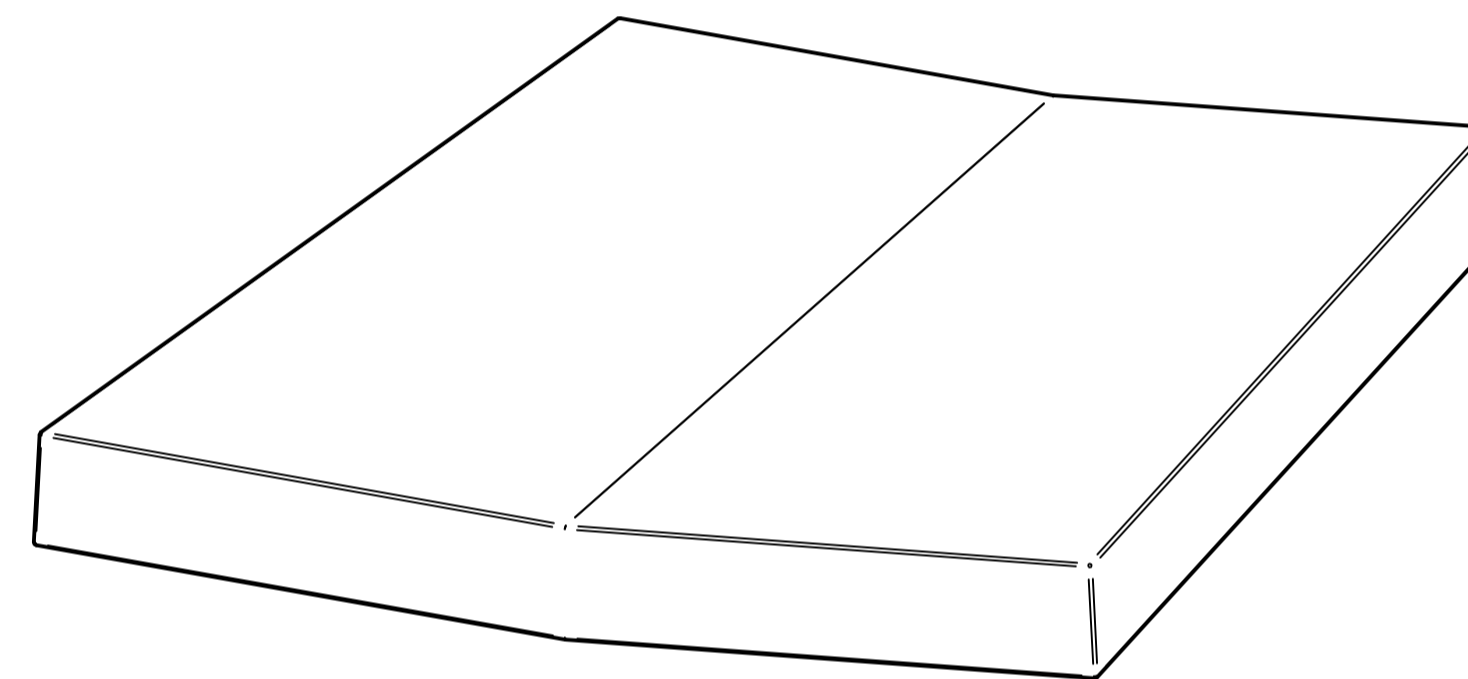
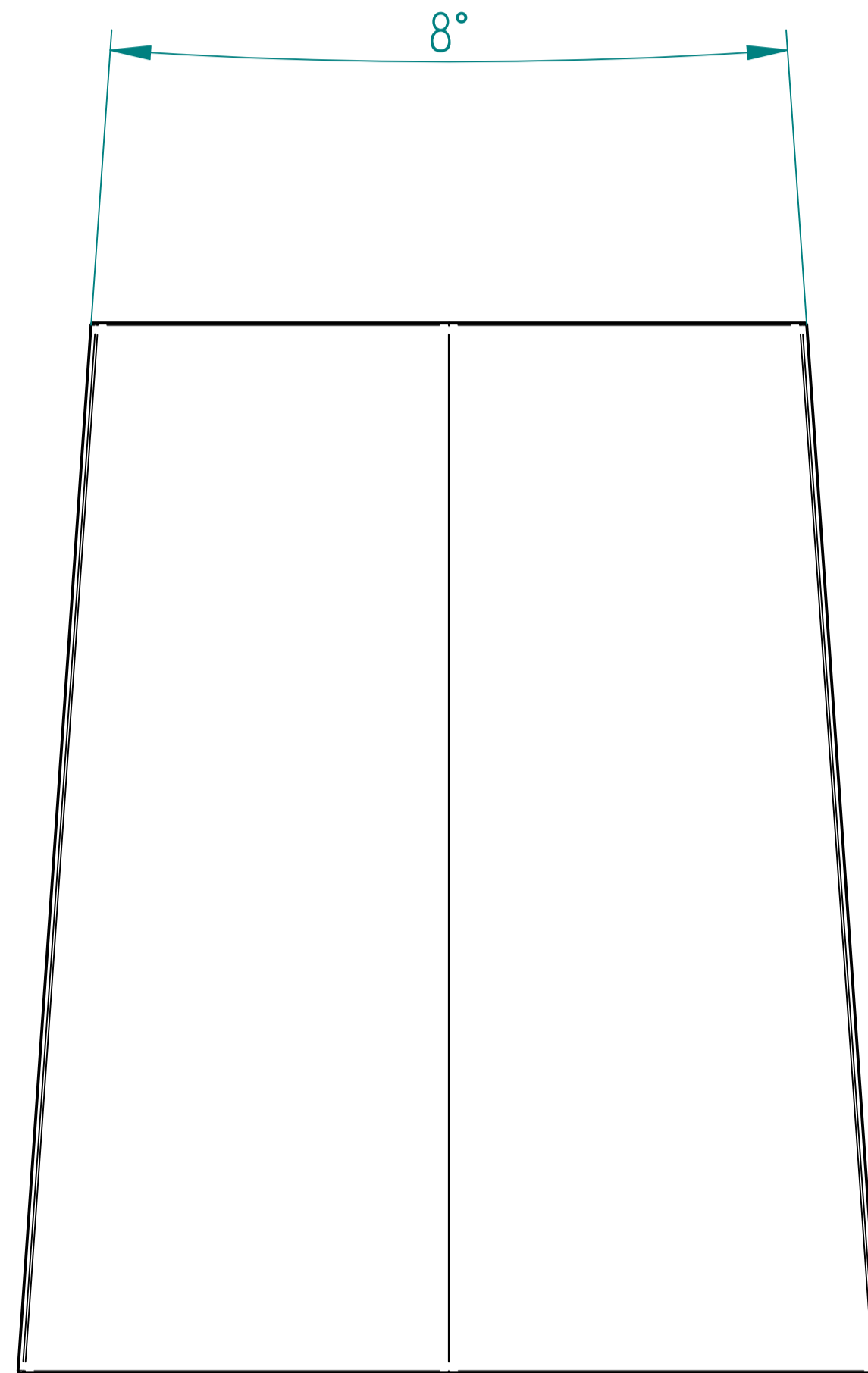
| REVISION HISTORY | | | |
|------------------|-------------|------|----------|
| REV | DESCRIPTION | DATE | APPROVED |
| | | | |



LEG ARCH - TRUE SIDE VIEW

| | | | | |
|---|------|----------|-------------------------------------|---------|
| | NAME | DATE | Composit | |
| DRAWN | beta | 02/26/13 | | |
| CHECKED | | | TITLE | |
| ENG APPR | | | 'Unity' Occasional Chair Schematics | |
| MGR APPR | | | SIZE | DWG NO |
| UNLESS OTHERWISE SPECIFIED DIMENSIONS ARE IN MILLIMETERS ANGLES ±0.5° 2 PL ±0.05 3 PL ±0.005 | | | A3 | |
| | | | | |
| | | | FILE NAME: A8_Unity_Chair ASSY.dft | |
| | | | SCALE: | WEIGHT: |
| | | | SHEET 3 OF 5 | |

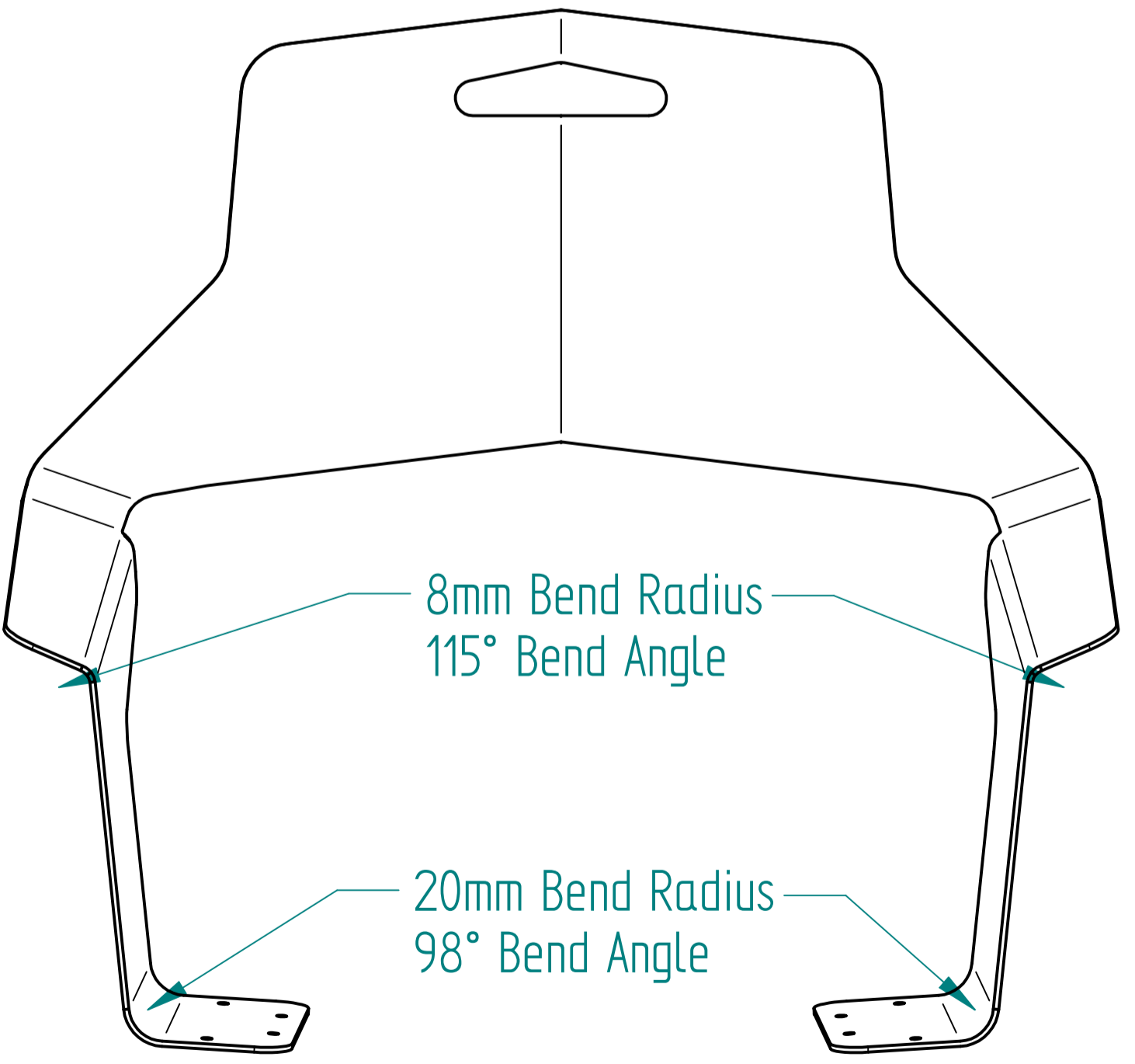
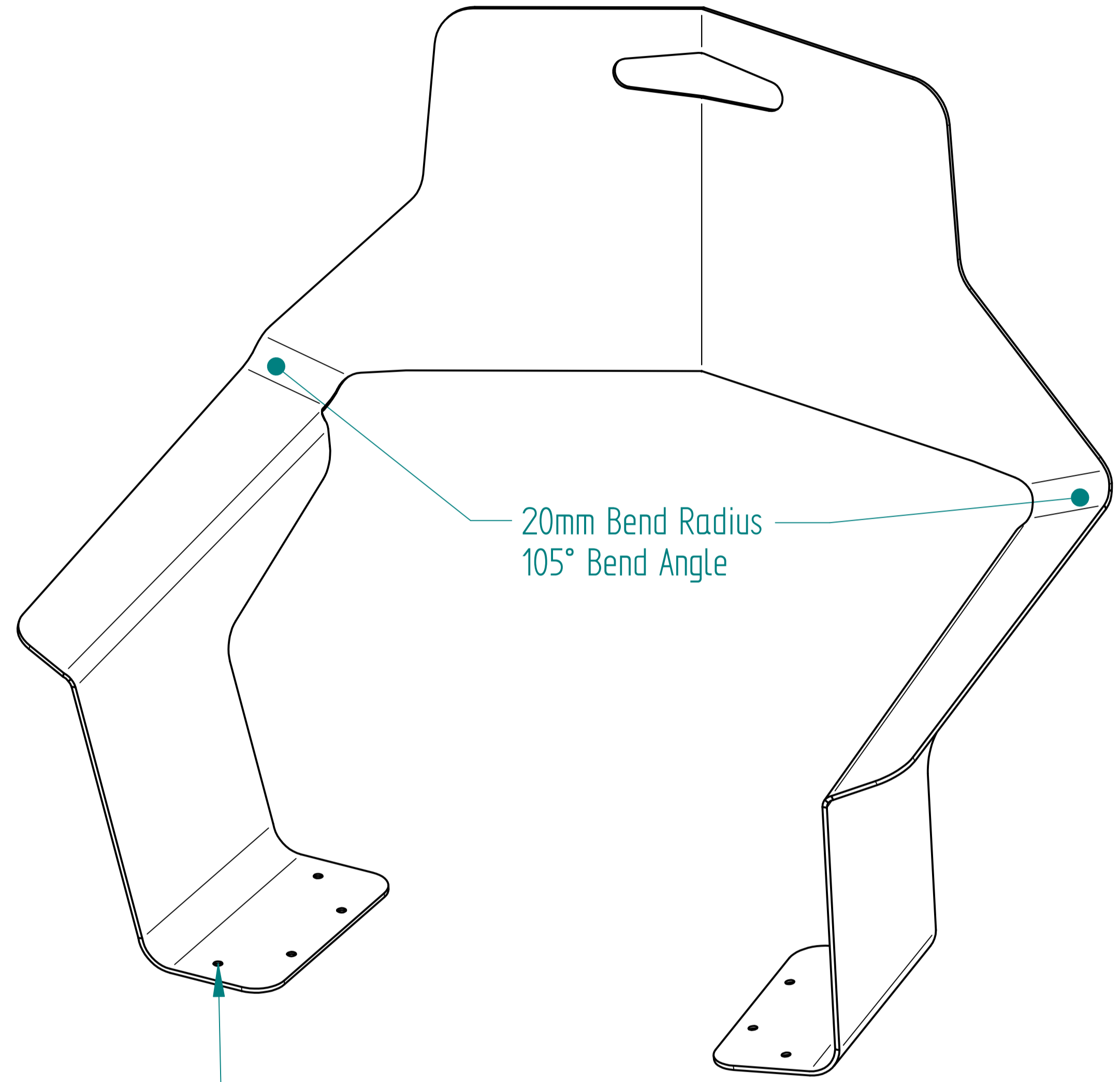
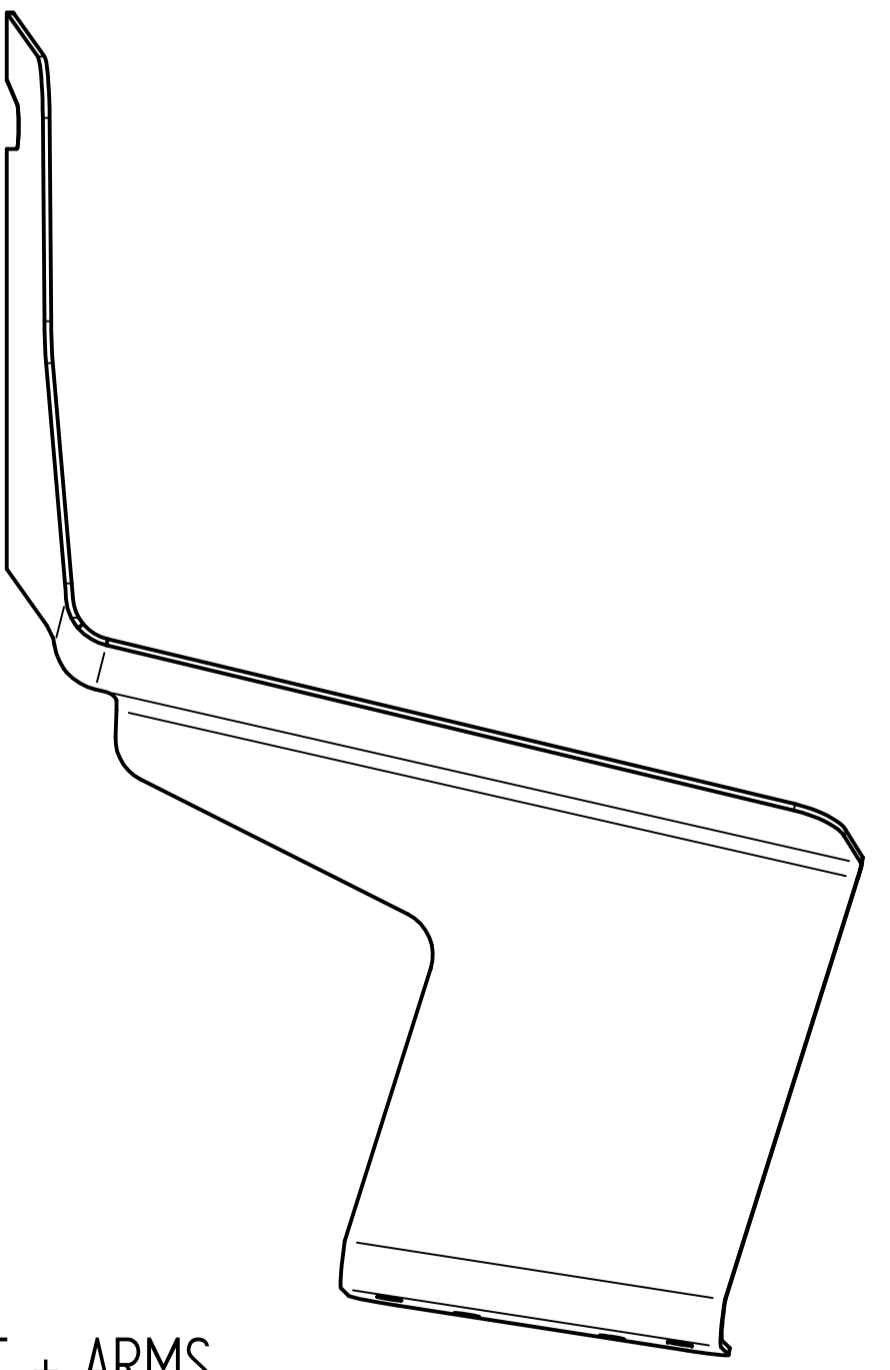
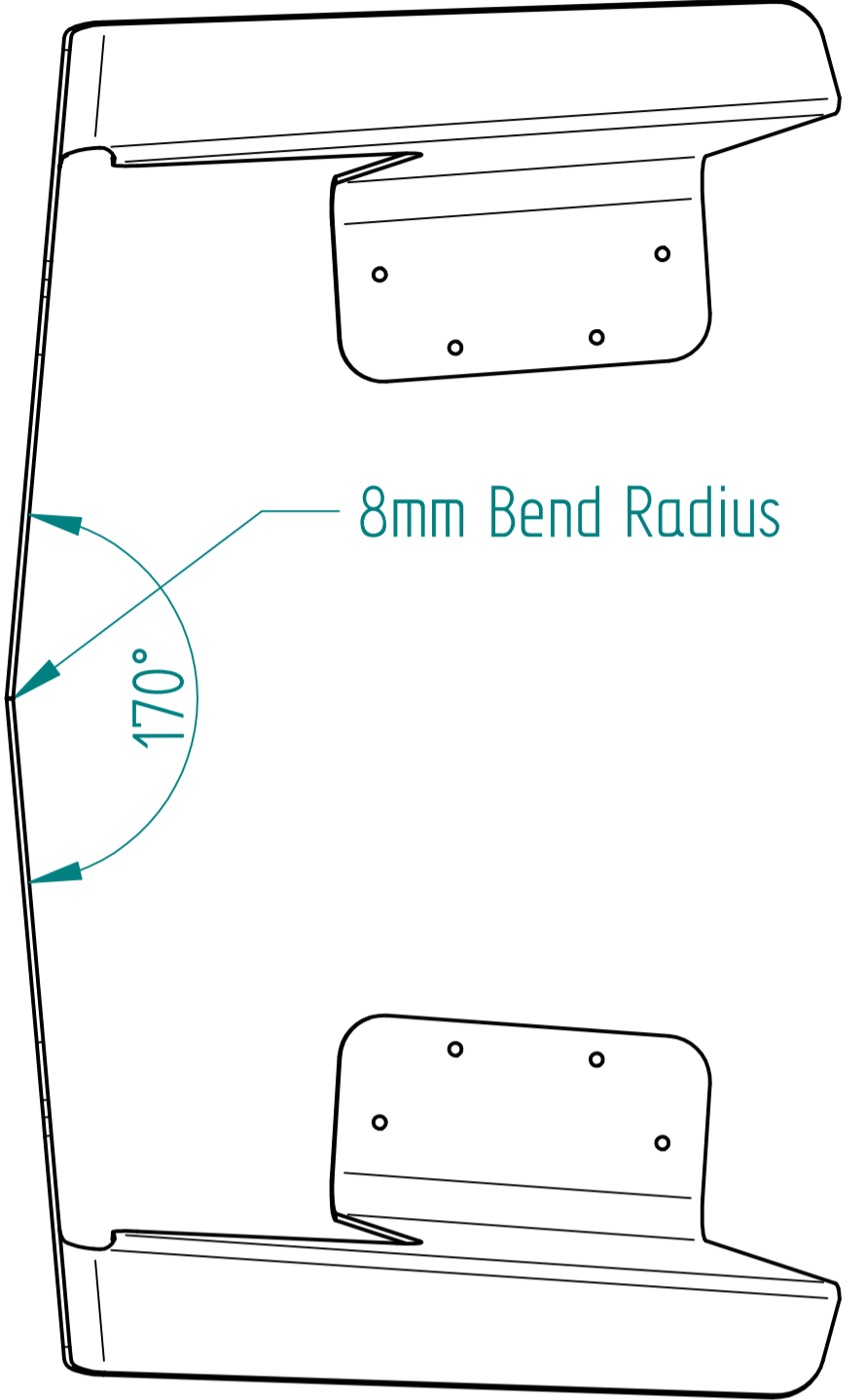
| REVISION HISTORY | | | |
|------------------|-------------|------|----------|
| REV | DESCRIPTION | DATE | APPROVED |
| | | | |



SEAT PANEL – TRUE VIEWS

| | | | | | |
|---|------|----------|--|---------|--------------|
| | NAME | DATE | <h1>Composit</h1> | | |
| DRAWN | beta | 02/26/13 | | | |
| CHECKED | | | | | |
| ENG APPR | | | | | |
| MGR APPR | | | TITLE 'Unity' Occasional Chair Schematics | | |
| UNLESS OTHERWISE SPECIFIED DIMENSIONS ARE IN MILLIMETERS ANGLES ±0.5° 2 PL ±0.05 3 PL ±0.005 | | | SIZE A3 | DWG NO | REV |
| | | | FILE NAME: A8_Unity_Chair ASSY.dft | | |
| | | | SCALE: | WEIGHT: | SHEET 4 OF 5 |

| REVISION HISTORY | | | |
|------------------|-------------|------|----------|
| REV | DESCRIPTION | DATE | APPROVED |
| | | | |



!! 10x Countersunk Holes, From Underside
 ϕ 4,5
 11 Countersink

UNITY CHAIR - BACKREST + ARMS
 MATERIAL: 3mm MILD STEEL
 QTY: 1
 FINISH: NO POWDERCOAT
 SEE DXF/PARASOLID ATTACHED FOR FLAT PATTERN

| | | | | | |
|--|------|----------|--|--------|-----|
| | NAME | DATE | <h1>Composit</h1> | | |
| DRAWN | beta | 02/26/13 | | | |
| CHECKED | | | | | |
| ENG APPR | | | | | |
| MGR APPR | | | TITLE 'Unity' Occasional Chair Schematics | | |
| UNLESS OTHERWISE SPECIFIED DIMENSIONS ARE IN MILLIMETERS ANGLES \pm 0.5° 2 PL \pm 0.05 3 PL \pm 0.005 | | | SIZE A3 | DWG NO | REV |
| | | | FILE NAME: A8_Unity_Chair ASSY.dft | | |
| SCALE: | | WEIGHT: | SHEET 5 OF 5 | | |